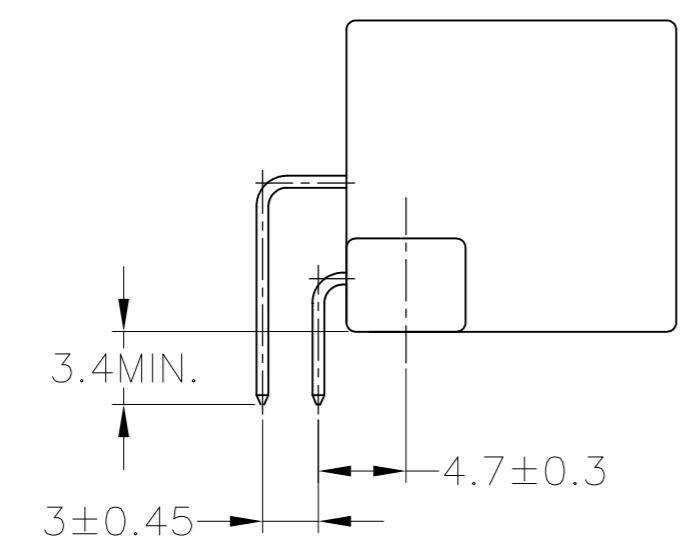
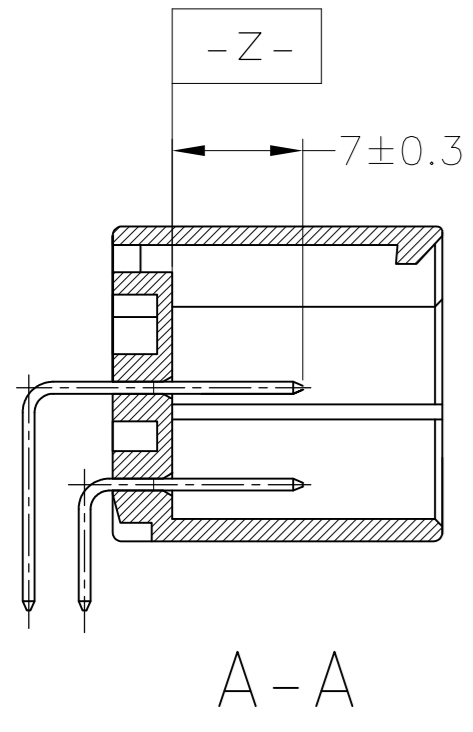
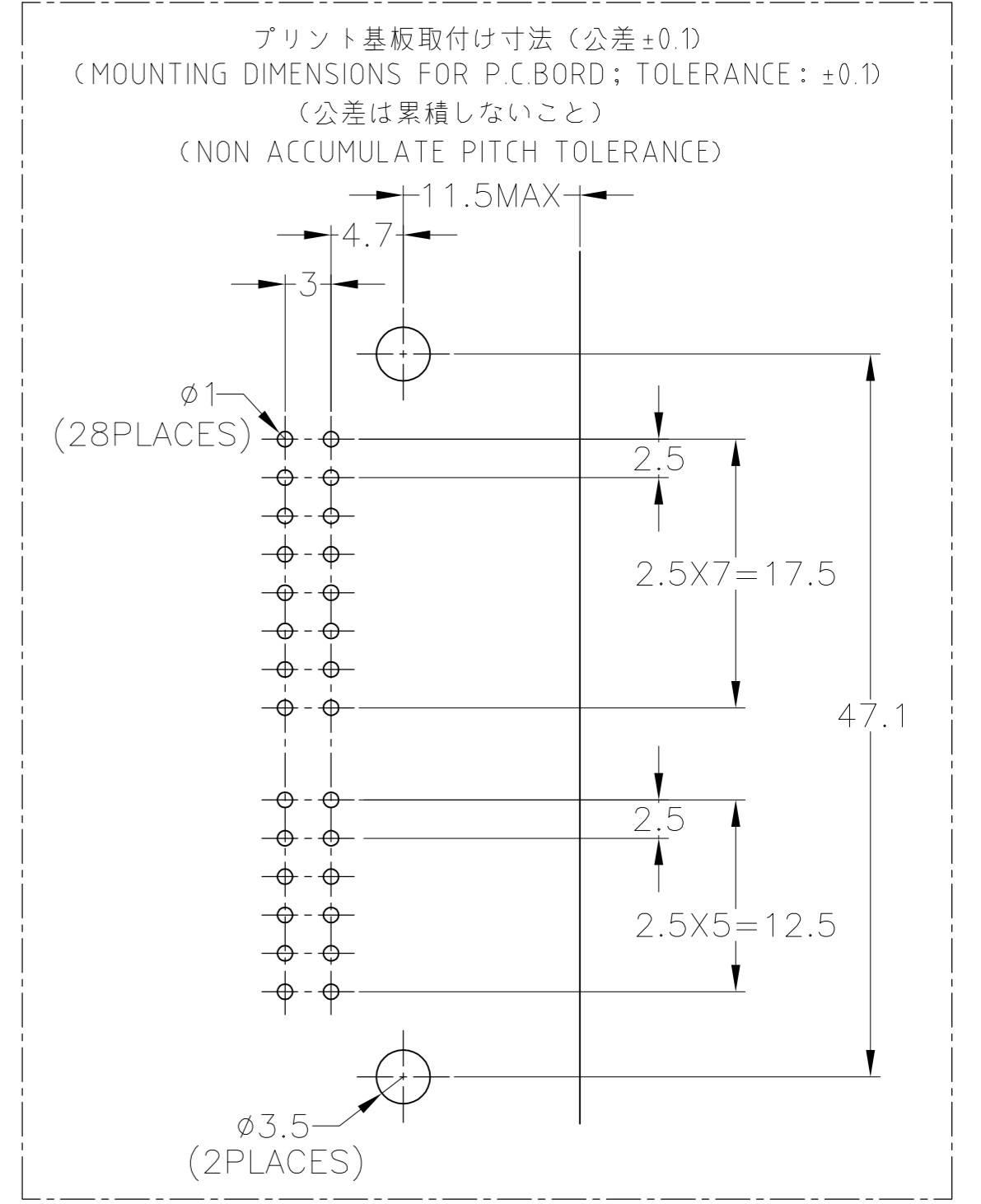
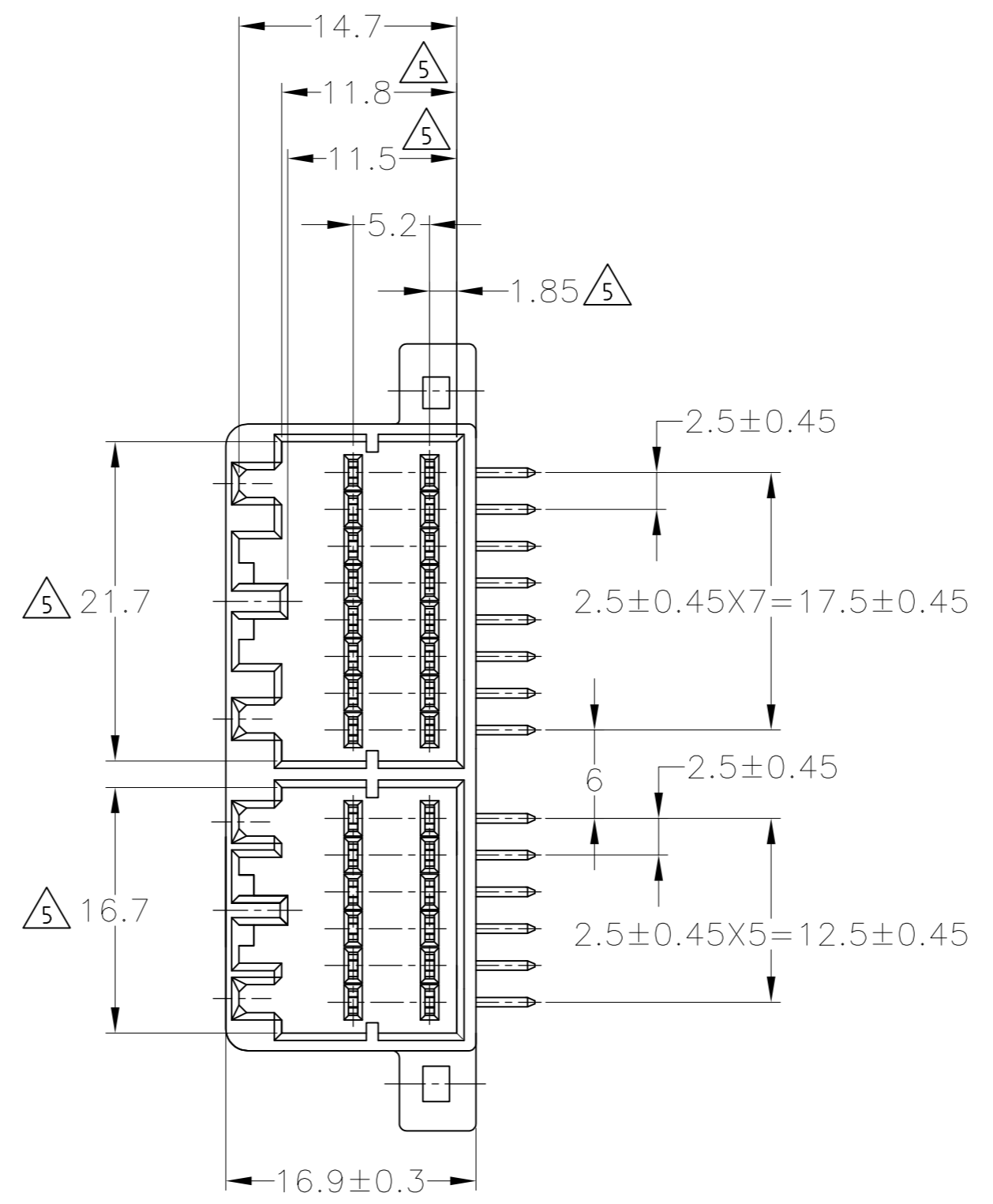
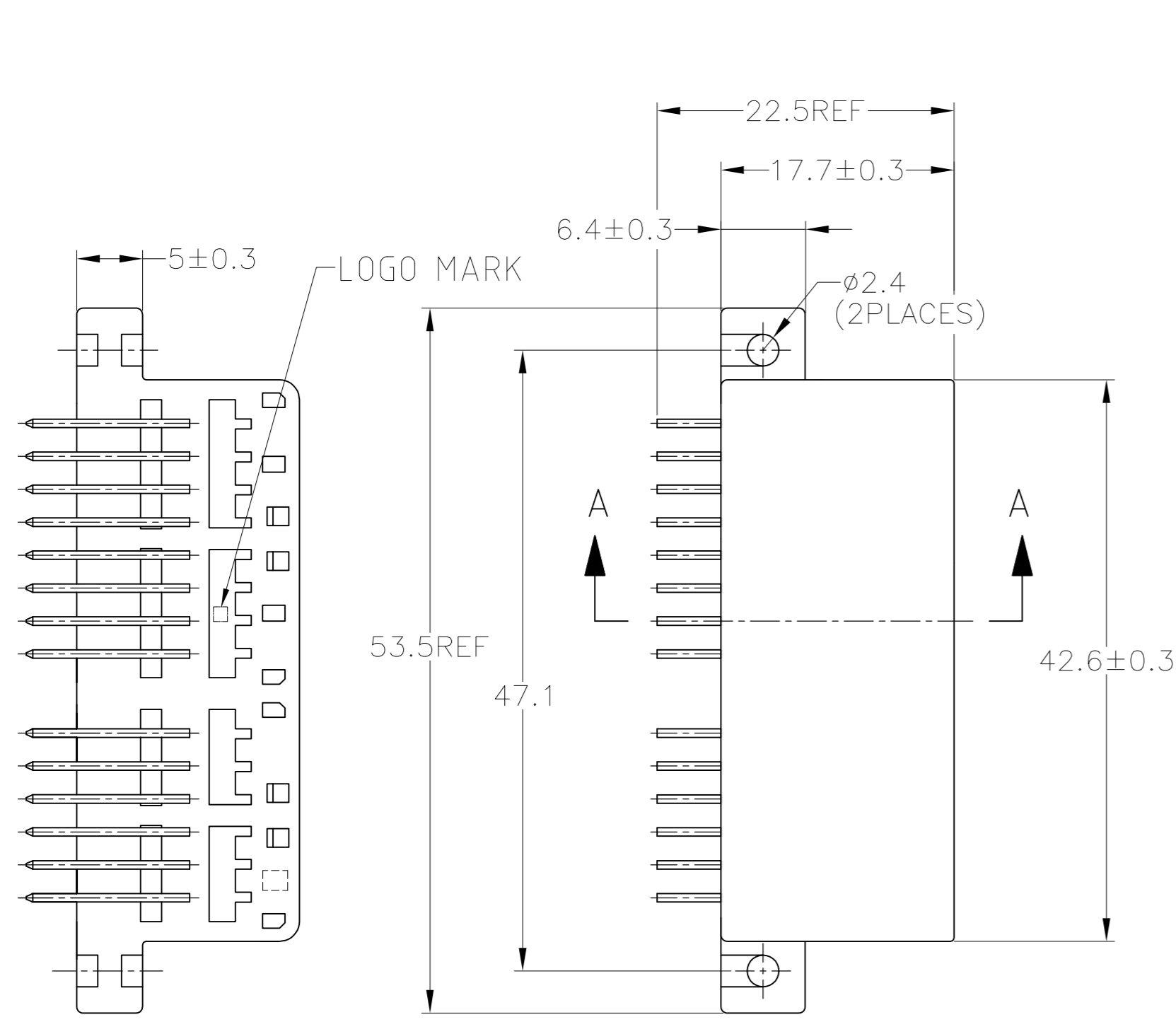
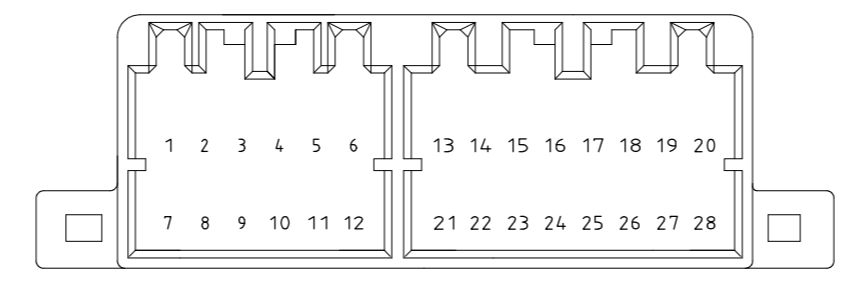


LOC		DIST		REVISIONS			
J	-	P	LTR	変更	DATE	DWN	APVD
		C1	REVISED PER ECO-11-005140	DESCRIPTION	28MAR11	RK	HMR



- 適用プリント基板厚; 1.6mm
 - 推奨取付けネジ; JIS B1115, B1122 タッピングネジ、ナベ2種呼び径3、長さ6mm以上 (締付トルク; 39.2n-cm以下)
 - 嵌合相手ハウジング; 175965, 175966
 - 適用製品規格番号; 108-5281
- △-Z- 面から2mmの範囲で測定
 △回路番号; 下図参照のこと

- APPLICABLE P.C.B BOARD THICKNESS; 1.6mm
 - RECOMMENDED MOUNTING SCREW 3mm DIA 6mm LENGTH (MIN.) TAPPING SCREW SPECIFIED IN JIS B1115, B1122 (TIGHTENING TORQUE; 39.2N-cm MAX.)
 - THE MATING PLUG HOUSING PART NUMBER; 175965, 175966
 - APPLICABLE PRODUCT SPEC No.; 108-5281
- △ TO BE MEASURED WITHIN 2mm FROM -Z-
 △ CIRCUIT NUMBER



SELECTIVE-TIN (MATTE)	SELECTIVE GOLD × 28	全回路 (ALL CIRCUIT)	黒 (BLACK)	1-5175976-2
TIN-LEAD	SELECTIVE GOLD × 4	⑥ ⑫ ⑳ ㉓	黒 (BLACK)	3-175976-2
TIN-LEAD	PRE-TIN × 24	④ ⑤ ⑥	黒 (BLACK)	2-175976-2
TIN-LEAD	SELECTIVE GOLD × 3	④ ⑤ ⑥	黒 (BLACK)	1-175976-2
TIN-LEAD	PRE-TIN × 25	-	黒 (BLACK)	175976-3
SELECTIVE-TIN (MATTE)	SELECTIVE GOLD × 2	⑭ ㉒	黒 (BLACK)	175976-2
SELECTIVE-TIN (MATTE)	SELECTIVE-TIN (BRIGHT) × 26	-	黒 (BLACK)	175976-2
PRE-TIN × 28	-	-	黒 (BLACK)	175976-2
SOLDERING SIDE 半田付け部	CONTACT SIDE 接触部側	△ CIRCUIT NO OF GOLD PLATED CONTACT 金めっき端子使用回路番号	HOUSING COLOR ハウジング色	PART NUMBER 型番
CONTACT FINISH コンタクト仕上げ				

TOLERANCE UNLESS OTHERWISE SPECIFIED: 一般公差

0 < x ≤ 10	: ±0.2
10 < x ≤ 30	: ±0.25
30 < x ≤ 100	: ±0.3
ANGLE	: ±3°

THIS DRAWING IS A CONTROLLED DOCUMENT.

DIMENSIONS: 単位: 概 mm	TOLERANCES UNLESS OTHERWISE SPECIFIED: 一般公差
MATERIAL 材料	FINISH 仕上
HOUSING: PBT	CONTACT: BRASS

DWN	A. YAMAGUCHI	05APR02	TE Connectivity	NAME 名称 040 SERIES MULTI-LOCK I/O CONN. MK-II 28Pos. CAP HOUSING ASSEMBLY (H-TYPE)						
CHK	K. BETSUI	05APR02								
APVD	K. BETSUI	05APR02								
PRODUCT SPEC	製品規格	SEE NOTE 4								
APPLICATION SPEC	取付適用規格		SIZE	A2	CAGE CODE	00779	DRAWING NO 番号	C=175976	RESTRICTED TO	-
WEIGHT	9.14 g	CUSTOMER DRAWING	SCALE 尺度	2:1	SHEET	1 of 1	REV	C1		